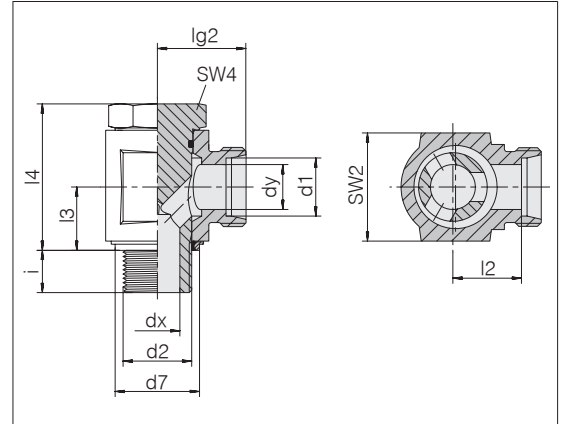


Banjo couplings

Throttle-free version with eccentric flow channel

Male thread: BSPP thread, cylindrical
 For threaded bores: ISO 1179-1 (Form N - narrow)
 Sealing type: Soft sealing ring (Form E)
 Sealing material: Standard NBR

Tube coupling: 24° in acc. with ISO 8434-1



Series	d2	Pressure	d7	dx	dy	lg2	l2	l3	l4	SW2	SW4	i	Nm -10 %	kg/100 ca.	Order-No.	Designation		
L	6	G 1/8 A	PB 500	14.9	4	4	19	12	10.5	25.3	19	14	8	25	5.0	1157012081	24-BEE-L6-G1/8E	1)
L	6	G 1/4 A	PB 400	18.9	6	4	21.5	14.5	14	31.5	22	19	12	40	9.7	1154812081	24-BEE-L6-G1/4E	
L	8	G 1/4 A	PB 400	18.9	6	6	21.5	14.5	14	31.5	22	19	12	40	9.8	1157062081	24-BEE-L8-G1/4E	1)
L	10	G 1/4 A	PB 350	18.9	8	8	22.5	15.5	14	33	22	19	12	38	10.1	1157112081	24-BEE-L10-G1/4E	1)
L	10	G 3/8 A	PB 350	21.9	10	8	22.5	18	16.5	38.5	27	22	12	75	16.4	1154732081	24-BEE-L10-G3/8E	
L	12	G 1/4 A	PB 350	21.9	8	10	25	18	16.5	37	27	22	12	75	14.6	1154822081	24-BEE-L12-G1/4E	
L	12	G 3/8 A	PB 350	21.9	10	10	25	18	16.5	38.5	27	22	12	75	16.2	1157162081	24-BEE-L12-G3/8E	1)
L	12	G 1/2 A	PB 315	30	12	10	29	22	21.5	45.5	32	27	14	110	27.7	1156812081	24-BEE-L12-G1/2E	
L	15	G 1/2 A	PB 315	26.9	12	12	29	22	21.5	45.5	32	27	14	110	28.4	1157212081	24-BEE-L15-G1/2E	1)
L	18	G 1/2 A	PB 315	26.9	15	15	29	21.5	21.5	47.5	36	27	14	110	29.6	1157262081	24-BEE-L18-G1/2E	1)
L	22	G 3/4 A	PB 200	32.9	19	19	36	28.5	24	56.5	46	36	16	160	56.8	1157312081	24-BEE-L22-G3/4E	1)
L	28	G 1 A	PB 200	39.9	24	24	39	31.5	30.5	68	50	41	18	270	86.6	1157362081	24-BEE-L28-G1E	1)
L	35	G 1 1/4 A	PB 200	49.9	30	30	46	35.5	35.5	78	60	50	20	500	146.6	1157412081	24-BEE-L35-G11/4E	1)
L	42	G 1 1/2 A	PB 200	55.9	36	36	51	40	40.5	88.5	70	60	22	600	214.5	1157462081	24-BEE-L42-G11/2E	1)
S	6	G 1/4 A	PB 500	18.9	4	4	23.5	16.5	14	30.5	22	19	12	53	10.4	1157512081	24-BEE-S6-G1/4E	1)
S	8	G 1/4 A	PB 450	18.9	5	5	23.5	16.5	14	31	22	19	12	53	10.5	1157562081	24-BEE-S8-G1/4E	1)
S	10	G 3/8 A	PB 400	21.9	7	7	26	18.5	16.5	37	27	22	12	120	17.3	1157612081	24-BEE-S10-G3/8E	1)
S	12	G 3/8 A	PB 400	21.9	8	8	26	18.5	16.5	37.5	27	22	12	120	17.5	1157662081	24-BEE-S12-G3/8E	1)
S	14	G 1/2 A	PB 400	26.9	10	10	31	23	21.5	44	32	27	14	160	29.5	1157712081	24-BEE-S14-G1/2E	1)
S	16	G 1/2 A	PB 400	26.9	12	12	31	22.5	21.5	47	36	27	14	160	31.2	1157762081	24-BEE-S16-G1/2E	1)
S	20	G 3/4 A	PB 400	32.9	16	16	38	27.5	24	55	46	36	16	330	59.4	1157812081	24-BEE-S20-G3/4E	1)
S	25	G 1 A	PB 250	39.9	20	20	43	31	30.5	66.5	50	41	18	380	93.8	1157862081	24-BEE-S25-G1E	1)
S	30	G 1 1/4 A	PB 250	49.9	25	25	50	36.5	35.5	75.5	60	50	20	600	155.2	1157912081	24-BEE-S30-G11/4E	1)
S	38	G 1 1/2 A	PB 250	55.9	32	32	57	41	40.5	86.5	70	60	22	800	231.1	1157962081	24-BEE-S38-G11/2E	1)

1) Standard size

Example for comp. :
WH06LRKDSOMD